



AVRETT



HARPER WALL SCONCE WS 3399

REGULAR SIZE SHOWN IN BRUSHED STEEL WITH SATIN BRASS ACCENT AND WAVY TWO WAY GOLD MIRROR

TEL: 843.554.1409

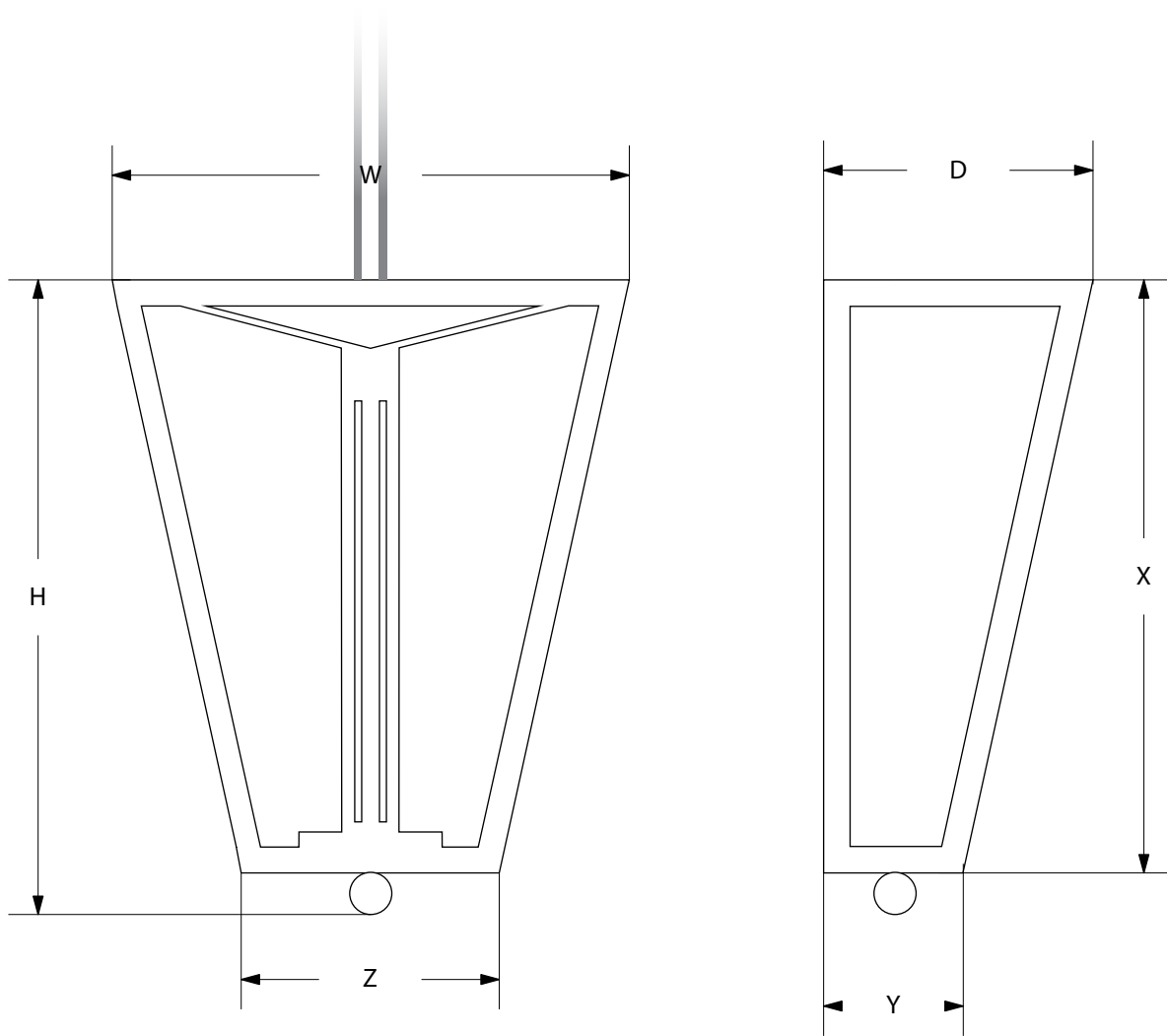
FAX: 843.554.1410

INFO@AVRETT.COM

WWW.AVRETT.COM

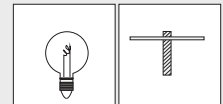
2275 TECHINCAL PARKWAY, NORTH CHARLESTON 29406

© 2018 AVRETT



DESIGNED BY TYLER HILL

ITEMS INCLUDED



| HARPER | | W | D | H | X | Z | Y | LAMP |
|---------|----------|---------|--------|-----|-----|--------|--------|-------|
| REGULAR | WS 3399R | 12 1/4" | 6 3/8" | 14" | 20" | 6 1/8" | 3 1/4" | 1-40W |

| FINISH OPTIONS | |
|----------------|--|
| STANDARD | BI, LGB, GB, BB, WB, BRS, PG, GYB, W, BS |
| PREMIUM 1 | MS, DB, HB, I, P, R, VG, WK, Z |
| PREMIUM 2 | GL, AGL, BGL, UGL, SL, ASL, BSL, USL |

| FINISH OPTIONS | |
|----------------|----------|
| STANDARD | SM, CG |
| PREMIUM 1 | AM |
| PREMIUM 2 | YRM, ARM |