



AVRETT

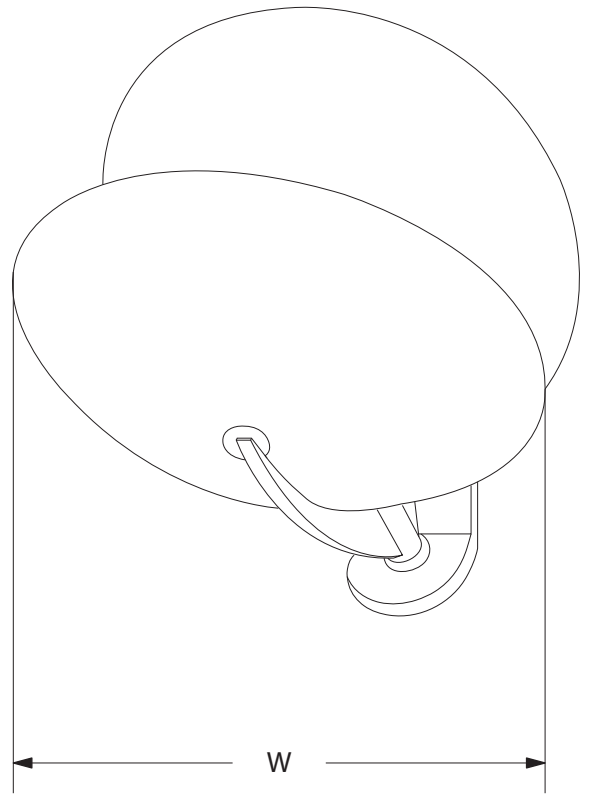
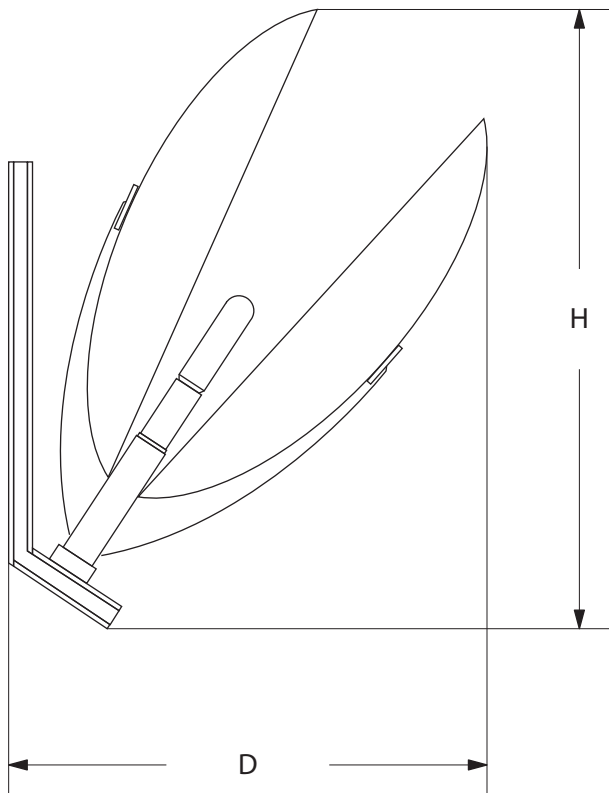


KINO WALL SCONCE WS 8121R

REGULAR SIZE SHOWN IN BRUSHED STEEL WITH SATIN BRASS

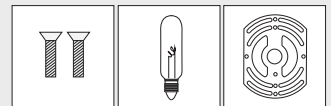


AVRETT



DESIGNED BY JUSTIN GIUNTA

ITEMS INCLUDED



KINO WALL SCNCE		BACK PLATE	W	H	D	LAMP
REGULAR	WS 8121R	3"W X 9.5"T	8 3/4"	14"	11 1/2"	1-40W

FINISH OPTIONS

STANDARD	BI, LGB, GB, BB, WB, BRS, PG, GYB, W, BS
PREMIUM 1	MS, DB, HB, I, P, R, VG, WK, Z
PREMIUM 2	GL, AGL, BGL, UGL, SL, ASL, BSL, USL