



AVRETT



ATHENA CHAIR S 2299

REGULAR SIZE SHOWN IN WASHED KHAKI WITH UPHOLSTERY

TEL: 843.554.1409

FAX: 843.554.1410

INFO@AVRETT.COM

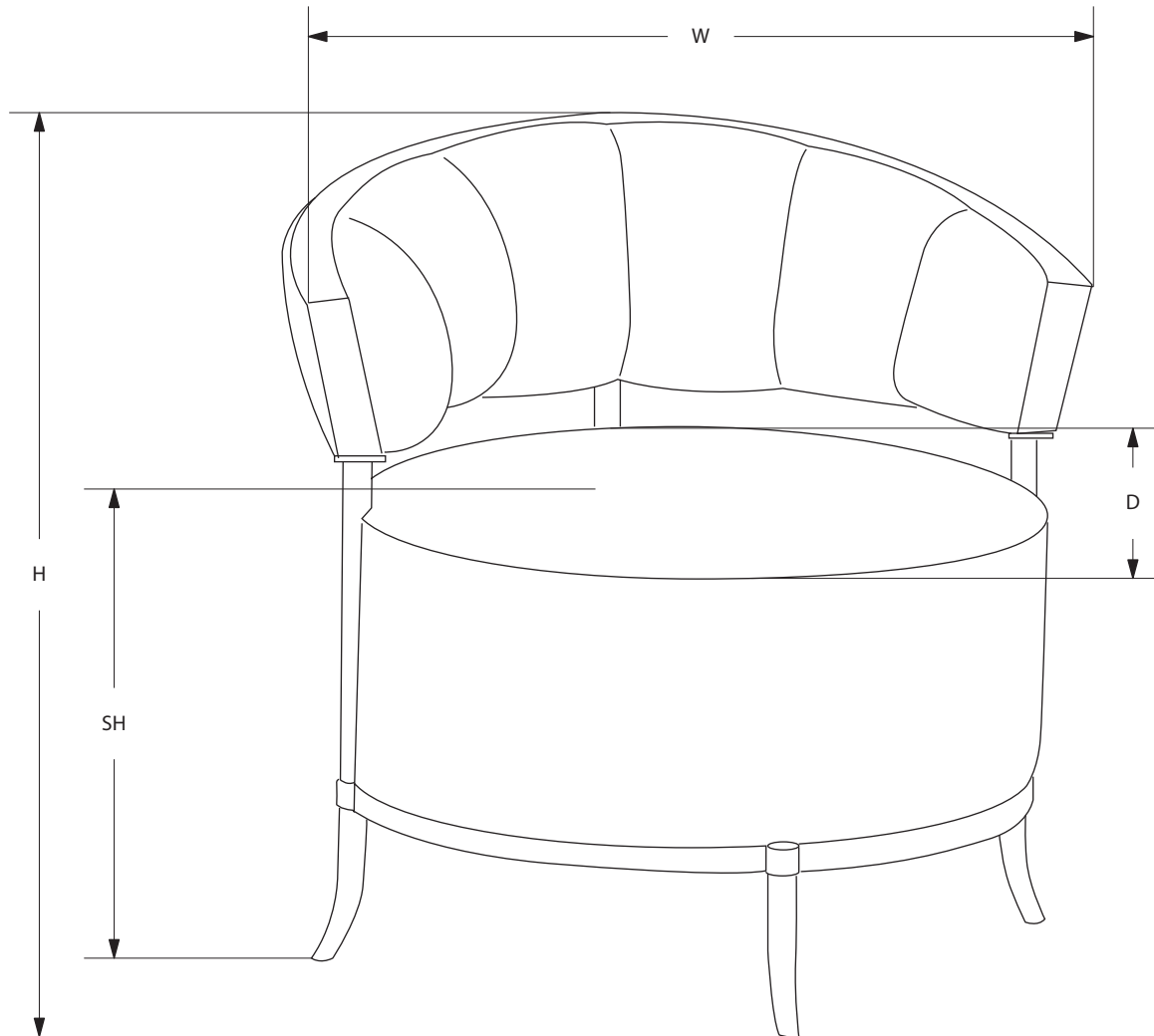
WWW.AVRETT.COM

PO BOX 21317, CHARLESTON, SC 29413

© 2013 AVRETT



AVRETT



DESIGNED BY BARRY DIXON

4 YARDS OF PLAIN COF FABRIC OR 6 1/4 YARDS OF PATTERN COM FABRIC

ATHENA		SH	W	H	D
REGULAR	S 5001R	18"	32"	31"	30 1/4"

**FINISH OPTIONS**

STANDARD	BI, LGB, GB, BB, WB, BRS, PG, GYB, W, BS
PREMIUM 1	MS, DB, HB, I, P, R, VG, WK, Z
PREMIUM 2	GL, AGL, BGL, UGL, SL, ASL, BSL, USL