

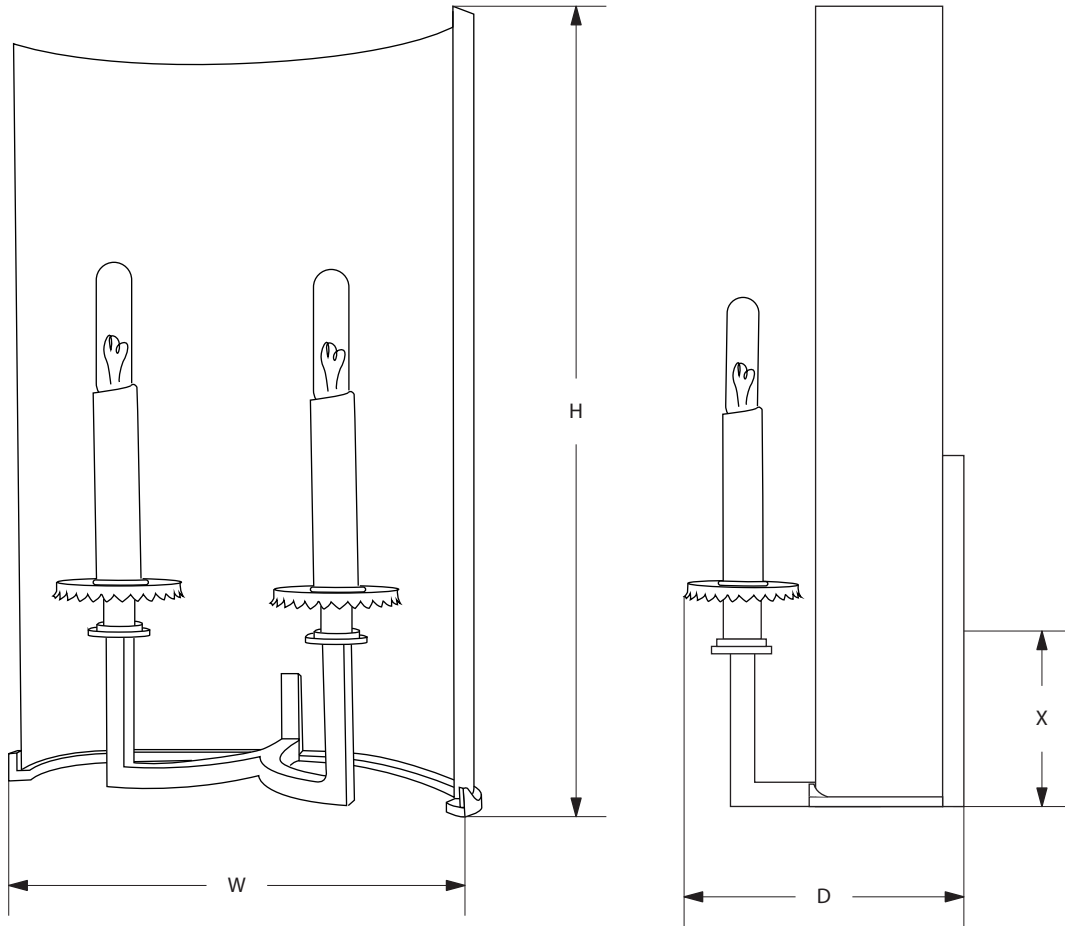


AVRETT



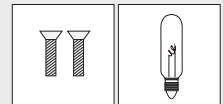
GREG WALL SCONCE WS 1119D

REGULAR SIZE WITH SATIN BRASS SHEILD AND BASE IN BRUSHED STEEL



DESIGNED BY FRANK PONTERIO

ITEMS INCLUDED



| GREG DOUBLE | | BACK PLATE | W | H | D | X | LAMP |
|-------------|----------|-------------|---------|-----|--------|--------|-------|
| STEEL | WS 1119D | 3" X 6 1/2" | 11 1/2" | 16" | 6 1/4" | 3 1/4" | 2-40W |
| BRASS | WS 1119D | 3" X 6 1/2" | 11 1/2" | 16" | 6 1/4" | 3 1/4" | 2-40W |

FINISH OPTIONS

| | |
|-----------|--|
| STANDARD | BI, LGB, GB, BB, WB, BRS, PG, GYB, W, BS |
| PREMIUM 1 | MS, DB, HB, I, P, R, VG, WK, Z |
| PREMIUM 2 | GL, AGL, BGL, UGL, SL, ASL, BSL, USL |